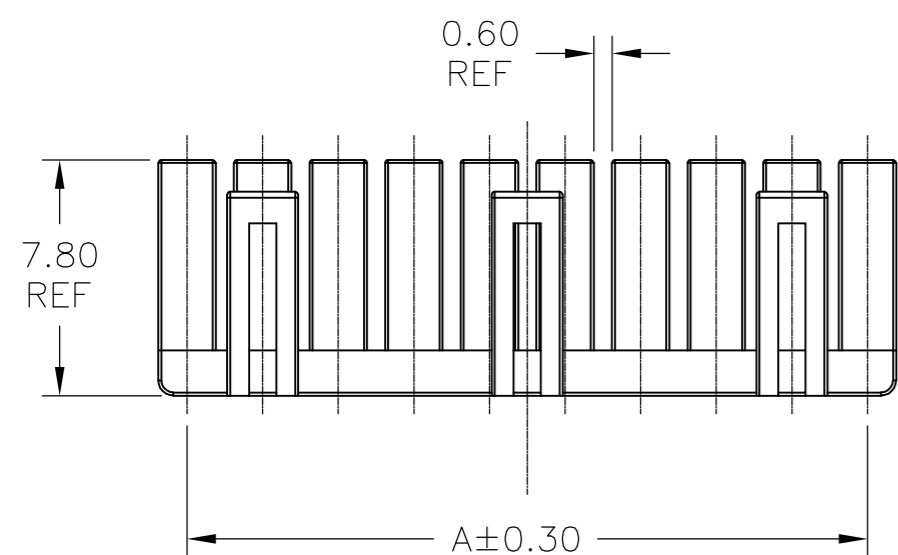
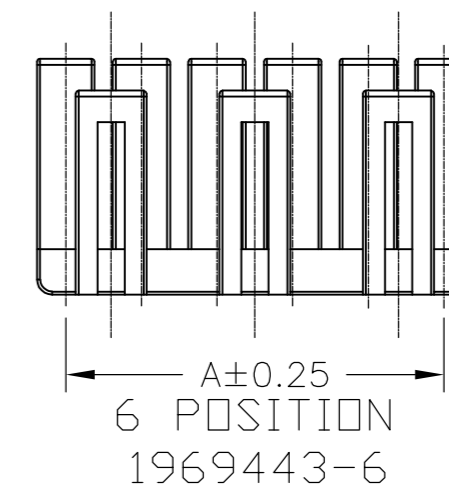
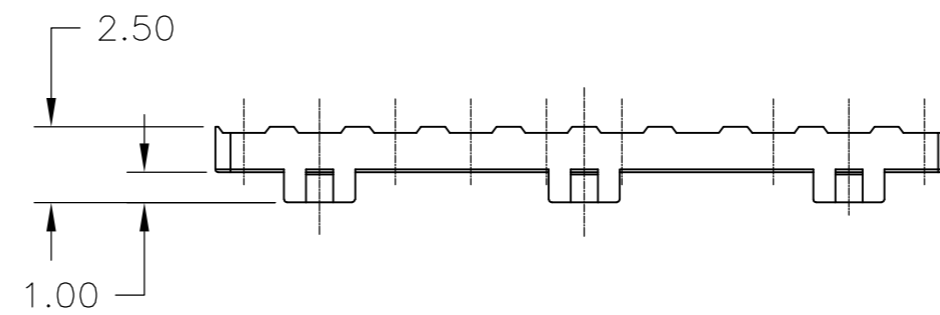
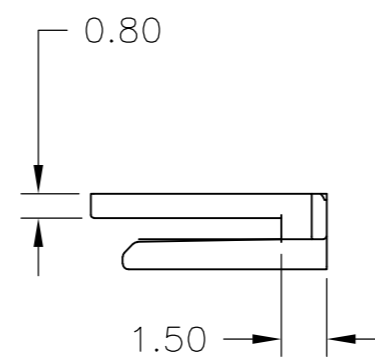
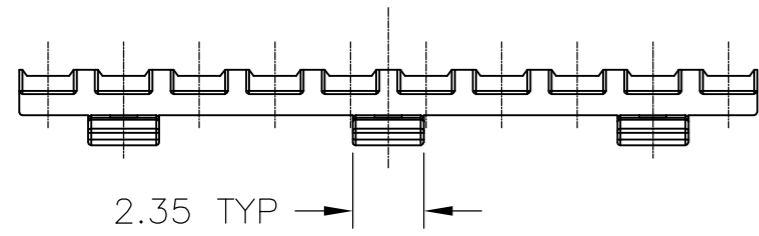
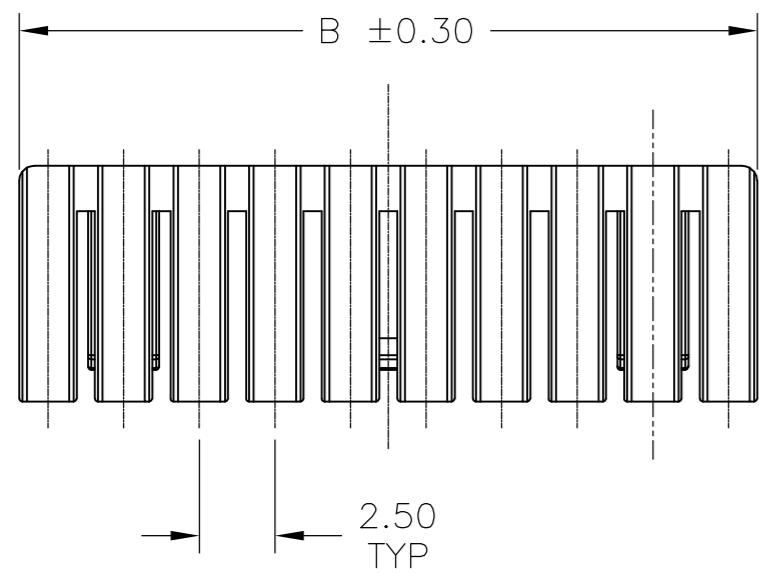


THIS DRAWING IS UNPUBLISHED. RELEASED FOR PUBLICATION
 © COPYRIGHT - By - ALL RIGHTS RESERVED.

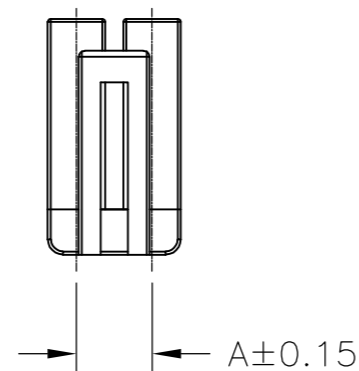
LOC		DIST		REVISIONS			
P	LTR	DESCRIPTION		DATE	DWN	APVD	
AF	58	A		RELEASED PER ECO 11-021815	01NOV11	JR	GJ

1 MATERIAL:
 HOUSING - NYLON 66 GLASS FILLED
 COLOR - BLACK

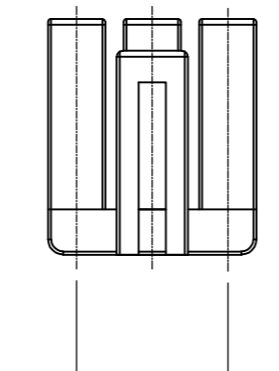
2 MATES WITH TPA HOUSING 1969442-()



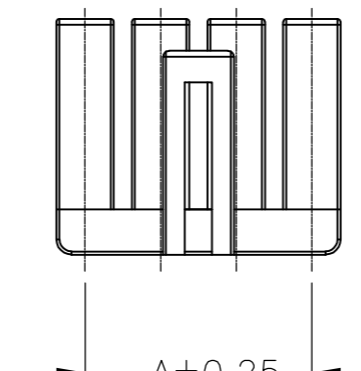
7 THRU 20 POSITION
 1969443-7 THRU -20



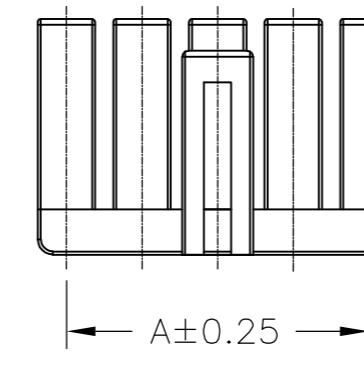
2 POSITION
 1969443-2



3 POSITION
 1969443-3

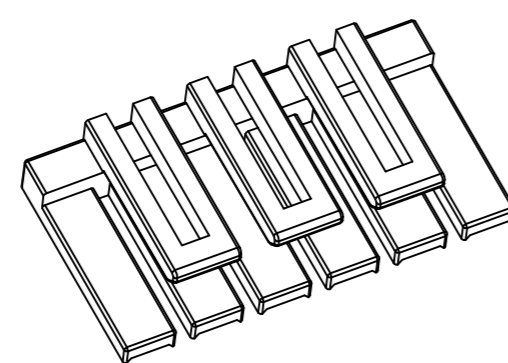


4 POSITION
 1969443-4



5 POSITION
 1969443-5

POS	DIM.B	DIM.A	PART NO.
20	49.4	47.5	2-1969443-0
19	46.9	45.0	1-1969443-9
18	44.4	42.5	1-1969443-8
17	41.9	40.0	1-1969443-7
16	39.4	37.5	1-1969443-6
15	36.9	35.0	1-1969443-5
14	34.4	32.5	1-1969443-4
13	31.9	30.0	1-1969443-3
12	29.4	27.5	1-1969443-2
11	26.9	25.0	1-1969443-1
10	24.4	22.5	1-1969443-0
9	21.9	20.0	1969443-9
8	19.4	17.5	1969443-8
7	16.9	15.0	1969443-7
6	14.4	12.5	1969443-6
5	11.9	10.0	1969443-5
4	9.4	7.5	1969443-4
3	6.9	5.0	1969443-3
2	4.4	2.5	1969443-2



THIS DRAWING IS A CONTROLLED DOCUMENT.

DWN	JR RUTH	24MAY2011
CHK	GENE JACONO	25MAY11
APVD	GENE JACONO	25MAY11
PRODUCT SPEC	108-2418	
APPLICATION SPEC	114-13315	
WEIGHT	-	
CUSTOMER DRAWING		

TE Connectivity
 ECONOMY POWER 2.5 TPA RETAINER

SIZE	A2	CAGE CODE	00779	DRAWING NO.	C=1969443	RESTRICTED TO	-
SCALE	4:1	SHEET	1 OF 1	REV	A		